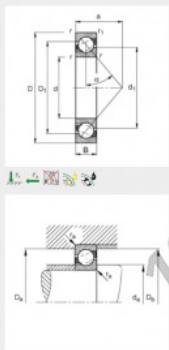


Kogellager enkele rij 7319-B-JP-FAG - 7319-B-JP-FAG

<https://www.123kogellager.be/kogellager-behuizing/kogellager/enkele-rij/7319-b-jp-fag>

Angular contact ball bearings 7319-B-JP
main dimensions to DIN 629-1, contact angle $\alpha = 40^\circ$



d	95 mm
D	200 mm
B	45 mm
a	84 mm
D ₁	159.5 mm
D _{1max}	160 mm
D _{1min}	159 mm
d ₁	137.1 mm
d _{1max}	138 mm
d _{1min}	136 mm
r _{1max}	1.1 mm
r _{1min}	2.5 mm
fa _{1max}	1 mm
fa _{1min}	3 mm
r	40 ° Contact angle
m	5.93 kg Mass
C	169000 N Basic dynamic load rating, radial
C ₀	167000 N Basic static load rating, radial
n _D	4000 1/min Limiting speed
n _R	3800 1/min Reference speed
C _r	9300 N Fatigue limit load, radial

PRODUCTKENMERKEN

Merk	FAG
N° Ean13	3663952348193
Binnendiameter	95 mm
Buitendiameter	200 mm
Dikte	45 mm
Gewicht	5930 g
Verpakking	1

contact@123kogellager.be

CRT4 de Lesquin 60 Rue Du Haut De Sainghin 59273 Fretin FRANCE