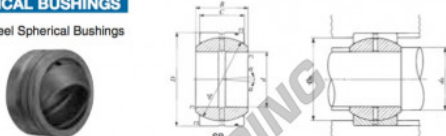


## GE Stangkop SB11518098-IKO - SB11518098-IKO

<https://www.123kogellager.be/kogellager-behuizing/stangkop/ge/sb11518098-iko>

**IKO**  
**SPHERICAL BUSHINGS**  
Steel-on-steel Spherical Bushings



Shaft dia. mm	Identification number		Mass (Ref.) kg	Boundary dimensions mm						Permissible tilting angle degree $\alpha$
	SB	11518098		$d$	D	B	C	$d_k$	$r_1$ mm <sup>(1)</sup>	
115	SB	11518098	10.3	115	180	98	85	165	1	5
Mounting dimensions mm		Dynamic load capacity $C_d$		Static load capacity $C_s$						
$d_s$	$D_s$									
Min.	Max. <sup>(2)</sup>	Min.	N	N	N					
120.5	132.5	174.5	152	1 380 000	8 250 000					

Notes<sup>(1)</sup> Minimum allowable value of chamfer dimensions  $r_1$  and  $r_2$ .  
<sup>(2)</sup> When Spherical Bushings are used with full tilting angle, the shaft shoulder dimension must be less than the maximum value of  $d_s$ .  
Remark1: The inner ring and the outer ring have an oil groove and two oil holes, respectively.  
2: Not provided with prepacked grease. Perform proper lubrication for use.

### PRODUCTKENMERKEN

Merk	IKO
N° Ean13	3663952391571
Binnendiameter	115 mm
Buitendiameter	180 mm
Dikte	98 mm
Type	GE
Smering	zonder
Verpakking	1

[contact@123kogellager.be](mailto:contact@123kogellager.be)

CRT4 de Lesquin 60 Rue Du Haut De Sainghin 59273 Fretin FRANCE