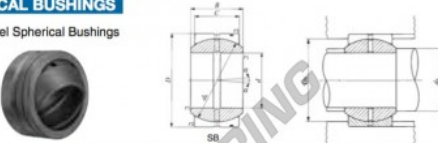


## GE Stangkop SB130200110-IKO - SB130200110-IKO

<https://www.123kogellager.be/kogellager-behuizing/stangkop/ge/sb130200110-iko>

**IKO**  
**SPHERICAL BUSHINGS**  
Steel-on-steel Spherical Bushings



Shaft dia. mm	Identification number		Mass (Ref.) kg	Boundary dimensions mm						Permissible tilting angle degree $\alpha$
	$d$	$D$		$B$	$C$	$d_k$	$r_1$ mm	$r_2$		
130	SB 130200110		13.8	130	200	110	95	185	1	5
Mounting dimensions mm		Dynamic load capacity $C_d$		Static load capacity $C_s$						
$d_s$	$D_s$	$C_d$	$C_s$							
Min. Max. <sup>(2)</sup>	Min. Max.	N	N							
135.5 148.5	194.5 171	1 720 000	10 300 000							

Notes<sup>(1)</sup> Minimum allowable value of chamfer dimensions  $r_1$  and  $r_2$ .  
<sup>(2)</sup> When Spherical Bushings are used with full tilting angle, the shaft shoulder dimension must be less than the maximum value of  $d_s$ .  
Remark1. The inner ring and the outer ring have an oil groove and two oil holes, respectively.  
2. Not provided with prepacked grease. Perform proper lubrication for use.

### PRODUCTKENMERKEN

Merk	IKO
N° Ean13	3663952391618
Binnendiameter	130 mm
Buitendiameter	200 mm
Dikte	110 mm
Type	GE
Smering	zonder
Verpakking	1

[contact@123kogellager.be](mailto:contact@123kogellager.be)

CRT4 de Lesquin 60 Rue Du Haut De Sainghin 59273 Fretin FRANCE