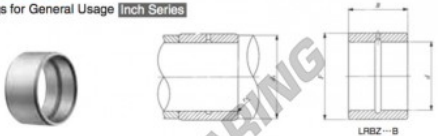


## Binnenring LRBZ81216-B-IKO - LRBZ81216-B-IKO

<https://www.123kogellager.be/kogellager-behuizing/naaldlager/binnenring/lrbz81216-b-iko>

**IKO**  
**INNER RINGS**  
Inner Rings for General Usage Inch Series



Shaft dia. mm (inch)	Identification number		Mass (Ref.) g	Boundary dimensions mm(inch)			Standard mounting dimensions mm <sup>(*)</sup>		
				<i>d</i>	<i>F</i>	<i>B</i>	<i>d</i> <sub>s</sub> Min.	<i>d</i> <sub>s</sub> Max.	<i>r</i> <sub>as</sub> Max.
<b>12.700</b> (1/2")	—	<b>LRBZ 81216 B</b>	31	12.700 $\gamma_{\psi}$	19.050 $\gamma_{\psi}$	25.650	17.5	18	0.6
Assembled bearings									
<b>BR 122016UU</b>									

Note(\*) Maximum allowable fillet corner radius of shaft.  
Remark: LRBZ has no oil hole. LRB and LRBZ - B are provided with an oil groove and an oil hole.

### PRODUCTKENMERKEN

Merk	IKO
N° Ean13	3663952420332
Binnendiameter	12.7 mm
Binnendiameter	1/2" inch
Buitendiameter	19.05 mm
Buitendiameter	3/4" inch
Dikte	25.65 mm
Dikte	1.01" inch
Verpakking	1

[contact@123kogellager.be](mailto:contact@123kogellager.be)

CRT4 de Lesquin 60 Rue Du Haut De Sainghin 59273 Fretin FRANCE