


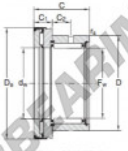
Naaldhulslager RAXPZ450-NADELLA - RAXPZ450-NADELLA

<https://www.123kogellager.be/kogellager-behuizing/naaldlager/naaldhulslager/raxpz450-nadella>



Combined bearings with incorporated thrust plate RAXPZ 400 – RAXZ 500

Machine-tool quality combined bearings
RAXNPZ 400,
RAXNZ 500 series



RAXPZ400 - RAXNPZ 400

Shaft Ø mm	Designations		F _r mm	D mm	C mm	d _s mm	D _s mm	C ₁ mm	C ₂ mm	F ₁ mm
	RAXPZ 400 series	RAXZ 500 series								
50	RAXPZ 450		50	62	30	50	71	9	11	1.3

Load Ratings kN				Speed rating min ⁻¹	Weight kg	Shaft Ø mm
Radial		Axial				
Dyn. C	Stat. C ₀	Dyn. C	Stat. C ₀			
30.2	69.5	22.5	118	4.000	0.245	50

PRODUCTKENMERKEN

Merk	NADELLA
N° Ean13	3616060472564
Binnendiameter	50 mm
Buitendiameter	62 mm
Dikte	30 mm
Gewicht	245 g
Verpakking	-
Standaard	Geen standaard

contact@123kogellager.be

CRT4 de Lesquin 60 Rue Du Haut De Sainghin 59273 Fretin FRANCE