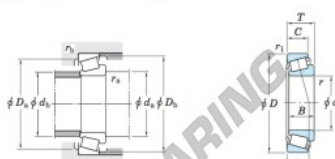


Kegellager 938-932-JTEKT - 938-932-JTEKT

<https://www.123kogellager.be/kogellager-behuizing/rollager/kegellager/938-932-jtekt>

Single-row tapered roller bearings
inch series Koyo



Boundary dimensions (mm)							Basic load ratings (kN)		Limiting speeds (min ⁻¹)	
<i>d</i>	<i>D</i>	<i>T</i>	<i>B</i>	<i>C</i>	<i>r_a</i> max.	<i>r_b</i> max.	<i>C_r</i>	<i>C₁₀</i>	Grease lub.	Oil lub.
114.300	212.725	66.675	66.675	53.975	7.1	3.2	450	674	1 800	2 400

Bearing No.		Load center (mm)	Mounting dimensions (mm)					Constant	Axial load factors		(Refer.) Mass (kg)		
Inner ring	Outer ring	<i>a</i>	<i>d_a</i>	<i>d_b</i>	<i>D_a</i>	<i>D_b</i>	<i>r_a</i> max.	<i>r_b</i> max.	<i>e</i>	<i>Y₁</i>	<i>Y₂</i>	Inner ring	Outer ring
938	932	47.6	141.0	128.0	187.0	193.0	7.1	3.2	0.33	1.84	1.01	5.96	4.07

PRODUCTKENMERKEN

Merk	JTEKT
N° Ean13	4549250209734
Binnendiameter	114.3 mm
Buitendiameter	212.72 mm
Dikte	53.9 mm
2e Dikte	66.6 mm
Verpakking	-

contact@123kogellager.be

CRT4 de Lesquin 60 Rue Du Haut De Sainghin 59273 Fretin FRANCE