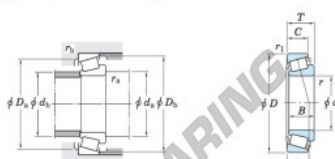


# Kegelager 841R-832-JTEKT - 841R-832-JTEKT

<https://www.123kogellager.be/kogellager-behuizing/rollager/kegelager/841r-832-jtekt>

Single-row tapered roller bearings  
inch series



**Koyo**

Boundary dimensions (mm)							Basic load ratings (kN)			Limiting speeds (min <sup>-1</sup> )	
<i>d</i>	<i>D</i>	<i>T</i>	<i>B</i>	<i>C</i>	<i>r<sub>a</sub></i>	<i>r<sub>b</sub></i>	<i>C<sub>r</sub></i>	<i>C<sub>10</sub></i>	Grease lub. Oil lub.		
85.725	168.275	53.975	56.383	41.275	3.6	3.2	344	467	2 300	3 100	

Bearing No.		Load center (mm) <i>a</i>	Mounting dimensions (mm)						Constant <i>e</i>	Axial load factors		(Refer.) Mass (kg)	
Inner ring	Outer ring		<i>d<sub>a</sub></i>	<i>d<sub>b</sub></i>	<i>D<sub>a</sub></i>	<i>D<sub>b</sub></i>	<i>r<sub>a</sub></i> max.	<i>r<sub>b</sub></i> max.		<i>Y<sub>1</sub></i>	<i>Y<sub>2</sub></i>	Inner ring	Outer ring
841R	832	35.0	104.0	97.0	149.0	155.0	3.6	3.2	0.30	2.00	1.10	3.47	1.72

## PRODUCTKENMERKEN

Merk	JTEKT
N° Ean13	3663952429571
Binnendiameter	85.725 mm
Buitendiameter	168.275 mm
Dikte	53.975 mm
Verpakking	1

[contact@123kogellager.be](mailto:contact@123kogellager.be)

CRT4 de Lesquin 60 Rue Du Haut De Sainghin 59273 Fretin FRANCE